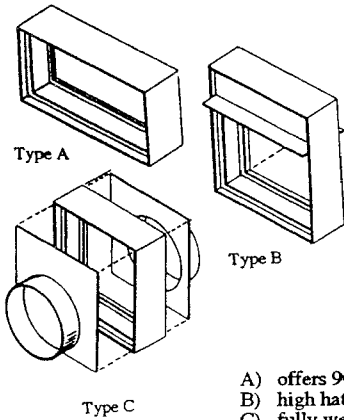


VENTURE AIR

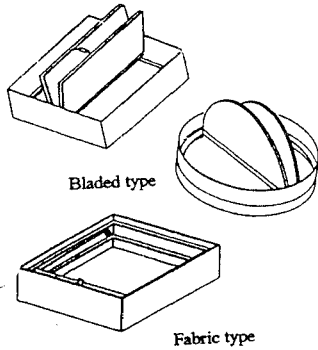
CURTAIN TYPE FIRE DAMPER



- A) offers 90% free area
- B) high hat offers 95% free area
- C) fully welded offers 100% free area
- D) tack welded offers 100% free area

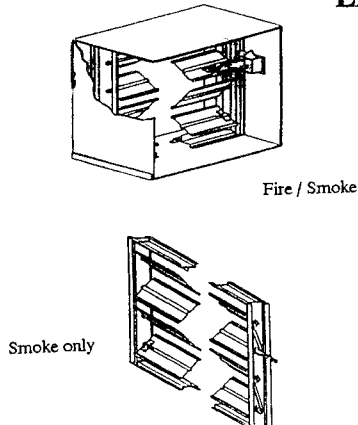
These dampers are U.L. classified for 1-1/2 hour protection. They are suitable for installation in 2 hour walls, partitions and floors. Similar units are available with a 3 hour classification that are suitable for installation in 4 hour walls, partitions and floors. Units can be mounted either vertical (for horizontal air flow) or horizontally (for vertical air flow). Horizontal units are spring loaded.

CEILING RADIATION DAMPERS



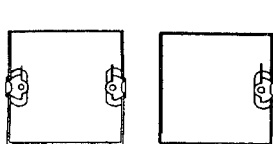
Dampers are U.L. classified for heat radiation in ceilings. Square or round bladed dampers have a 3 hr. rating. Fabric dampers have a 1 - 4 hr. rating dependant on size. This unit is also available with 1 or 2 round collar transitions and a narrow frame style. All units are available in a range of sizes from 4 x 4 (4") to 24 x 24 (24"). Center pivot blade type units are available with an air volume controller which eliminates the necessity of a control or balancing damper above the radiation damper.

LEAKAGE RATED DAMPERS



Dampers are U. L. classified for leakage in either smoke or fire/smoke installation. Units may be operated by an electric or pneumatic operator. Fire/smoke dampers must be mounted in the wall and contain a fusible link for elevated temperature fail safe closure. The smoke damper must be mounted within 22" of barrier and can be actuated by a wired signal for a smoke detector to the damper operator. Both units are standard with blade and side seals. These dampers are available as Class I or Class II leakage rating.

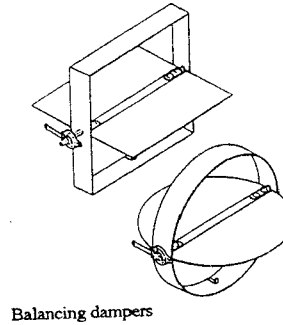
ACCESS DOORS



Access doors

Duct access doors are available with either a double cam lock or with single cam and hinge. The doors allow the ability to gain access to the duct for cleaning or servicing dampers, they are also available in see through models.

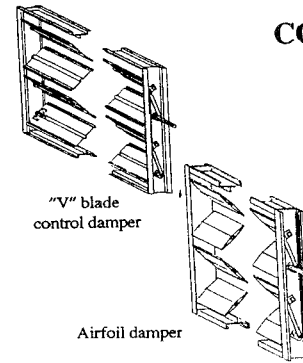
BALANCING DAMPERS



Balancing dampers

These dampers can be used to balance air to individual areas. This economical unit comes complete with a manual quadrant. They can also be manufactured in galvanized stainless and aluminum. Stand off plates are available for insulated duct. All units are single blade construction.

CONTROL DAMPERS

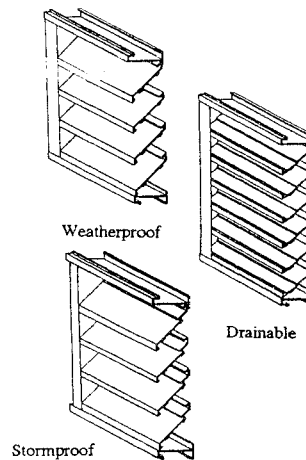


"V" blade control damper

Airfoil damper

These dampers are designed to control the volume of air between two areas. The units can be manufactured as either an opposed blade or parallel blade unit. Blade and side seals are an option to help minimize leakage. Units can be provided with manual locking quadrants, electric motors or pneumatic operators. Optional construction available in stainless or aluminum. Airfoil blade designs are available in a fully extruded unit or a formed galvanized unit.

LOUVERS



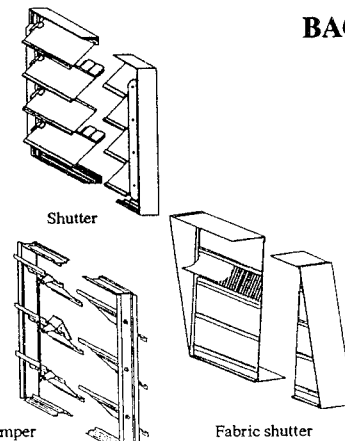
Weatherproof

Stormproof

Drainable

Louvers are fabricated from extruded aluminum. Blade design are available in stormproof, weatherproof and drainable. All units are tested in accordance with AMCA standards for air performance and water penetration. Similar models are available in galvanized steel. Standard frame depths are 4" and 6". A variety of finishes, including baked enamel, anodize and kynar.

BACK DRAFT DAMPERS



Shutter

Relief damper

Fabric shutter

These dampers are for air intake or exhaust. They can be mounted vertically or horizontally. Units can be furnished with or without counter balancing (to assist or retard operation). Some units are available with blade and/or side seals. Some units may also be motorized. These dampers can be manufactured with galvanized, stainless steel or aluminum.